

HIGH ACCURACY SINGLE POINT LOAD CELL WITH OVERLOAD PROTECTION

capacities 5kg - 35kg

NEW

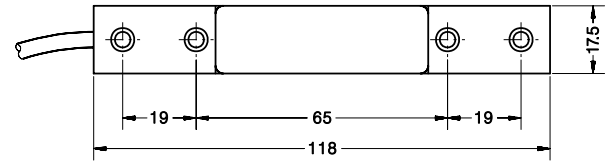
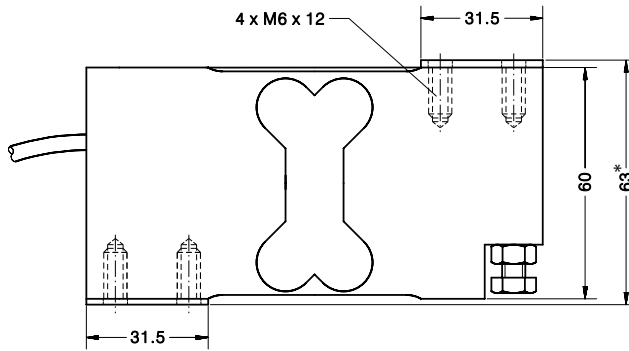
The T6 load cell is specifically designed as a high accuracy, reliable and simple solution for dynamic applications such as multi-head weighers, check weighers and filling machines.

Its integral overload stop offers excellent protection against accidental damage from excessive vertical forces. The aluminium alloy construction, wide operating temperature range and IP66 sealing make it ideally suited for use in a range of different environmental conditions. It exhibits high accuracy with off-centre loads.

- Double bending beam load cell
- High quality aluminium alloy load sensor
- High accuracy with off-centre loads
- Potted and silicone sealed to IP66
- 4000 divisions
- Combined error +/- 0.013%
- 1 year warranty
- 500 x 500mm maximum platform size (load cell placed centrally under the platform)

T6

technical specification...

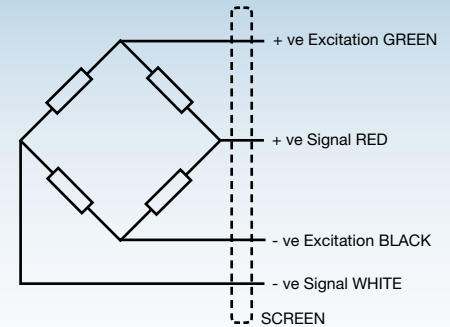


All dimensions in mm

* Dimension 63 is achieved when the upper and lower spacers (size 31.5 x 17.5) are used

T6 Load Cell

	Load cell specification	Units
Load Cell Capacity (E_{max})	5, 7.5, 10, 15, 20, 35	kg
Rated Output (S_n)	2	mV/V \pm 10 %
Accuracy class	4000	-
Combined Error	$< \pm 0.013$	% S_n
Non-repeatability	$< \pm 0.01$	% S_n
Minimum load cell interval	$E_{max} / 9000$	kg
Creep (30 minutes)	$< \pm 0.012$	% S_n
Temperature Effect on Zero Balance	$< \pm 0.01$	% $S_n / 5^\circ C$
Temperature Effect on Span	$< \pm 0.006$	% $S_n / 5^\circ C$
Compensated Temperature Range	-10 to +40	$^\circ C$
Operating Temperature Range	-20 to +70	$^\circ C$
Safe Overload	150	% E_{max}
Ultimate Overload	200	% E_{max}
Zero Balance	$< \pm 2$	% S_n
Input Resistance	400	$\Omega \pm 20$
Output Resistance	350	$\Omega \pm 3$
Insulation Resistance	> 5000	M Ω @ 100V
Recommended Supply Voltage	5-15	V
Maximum Supply Voltage	15	V
Environmental protection	IP66	-
Maximum deflection at E_{max}	0.2 - 0.4	mm
Cable Length	5	m
Cable Material	PVC	-
Nominal Shipping Weight	0.45	kg



Electrical Connections

Via 4 core, 4mm diameter, screened PVC cable.
Screen not connected electrically to load cell.

Construction

Load cell manufactured from premium aluminium alloy

* Load limit applies to central loads only. Load limit for off-centre loads will be lower.



KANTA KING TECHNOLOGIES PVT LTD.

Channel Partner

+91.9560915555

info@kantaking.com

C-25, 2nd Floor, DSIDC Complex, Kirti Nagar, New Delhi - 110015

www.kantaking.com

Our policy is one of continuous product enhancement. We therefore reserve the right to incorporate technical modifications without prior notification.