



Attention

OEM's, System Integrator, Dealers & End-Users

This is an extremely versatile multipurpose controller serving a very wide range of applications. The physical hardware (body) is the same, only the firmware (personality-brain) changes. It takes a generic load cell signal and also encoder (pulse) input signal. It is applicable for any weight or load range depending on load cell capacity used as input signal. It is proven in field, not only by our OEMs, also by LCS brand products.

All in One Controller

- Pre-programmable, customised to your needs
- Alpha Numeric keypad
- Standard Loadcell input
- Pulse/Counter input
- Digital inputs and outputs for interlocks & commands
- LED and LCD display
- Two serial ports i.e. RS232C / RS485 for PC / PLC / printer interface (local / remote)
- 32 bit ARM Controller
- High Resolution, High Speed
- Digital Calibration for Load & Disp
- Automatically stores transaction history
- Real time clock

Ideal for OEM machine manufacturers e.g. packing, filling, testing machines

Applications



Check Weighing System



Batch Weighing System



Bagging Systems



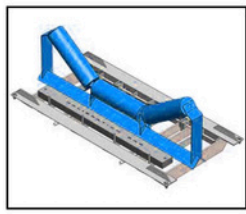
Cumulative Online Weigher



Liquid Filling System



Smart Counting System



Belt Weighing System



Multi Component System

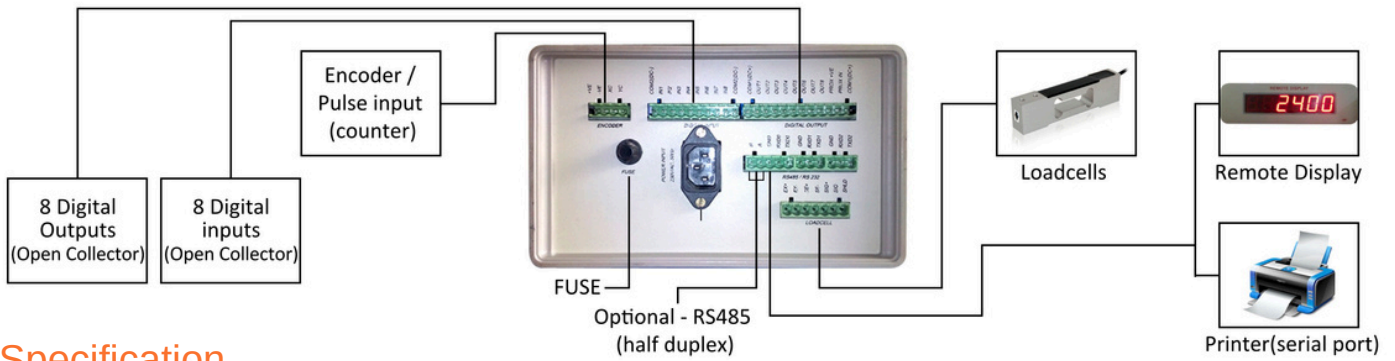


Universal Testing Machine



Cashew Packing System

Rear Panel View of UC-100



Specification

Indicator Power

- Power Supply ----- Voltage 90V to 245V AC, max 30W
- Controller ----- RTC Built, 32-bit high speed ARM7

A/D Converter

- Type ----- 24-bit Delta Sigma
- Analogue Input Range -- 0 - 25 mV
- Linearity ----- <0.03% FS
- Conversion Rate ----- 1-0 SPS or 650 Samples/Sec
- Internal Resolution ----- 1 in 1,30,000
- Display Accuracy ----- 1/30,000

Display & Keypads

- LCD Display ----- 4 lines 20 character
- LED Display ----- 6 digits 7 Segment LED Display
- Keypads ----- Capacitive Sense 17 alphanumeric keys

Calibration & Weighing

- Digital Calibration ----- By test weights
- Weighing Functions ----- Auto Zero, Power On Tare

Load cells

- Excitation ----- 5 VDC
- Load cells ----- Drives 8 Load cells of 350 Ω

Encoder

- Pulse Input ----- 5V DC supply A,B input

Memory

- EEPROM ----- 512 kilobites (storing records / setup details)

Inputs & Outputs

- Two Serial Ports ----- RS232C / RS485 for PC / PLC / printer interface (local / remote)
- Connectors ----- R/A pluggable terminal connectors
- Collector Output ----- 8 isolated open collector outputs for 500mA
- Isolated Inputs ----- 8 isolated inputs for 24 VDC max

Mechanical Data

- UC -100 Indicator's Cabinet Size -- 200mm (L)*125mm (H)*207mm (W)
- UC -100 Panel Cutout Details ----- 122mm (H)*206mm (W) with mounting hole 240mm (L) *60mm (H) at 4 holes 5mm diameter
- UC -100 Gross Weight ----- 3.10 Kg

Environmental

- Operating Temperature ----- (-10°C to 40°C)
- Storage Temperature ----- (-25°C to 70°C)
- Relative Humidity ----- 90% R.H without dew
- IP Level ----- Front panel IP 55

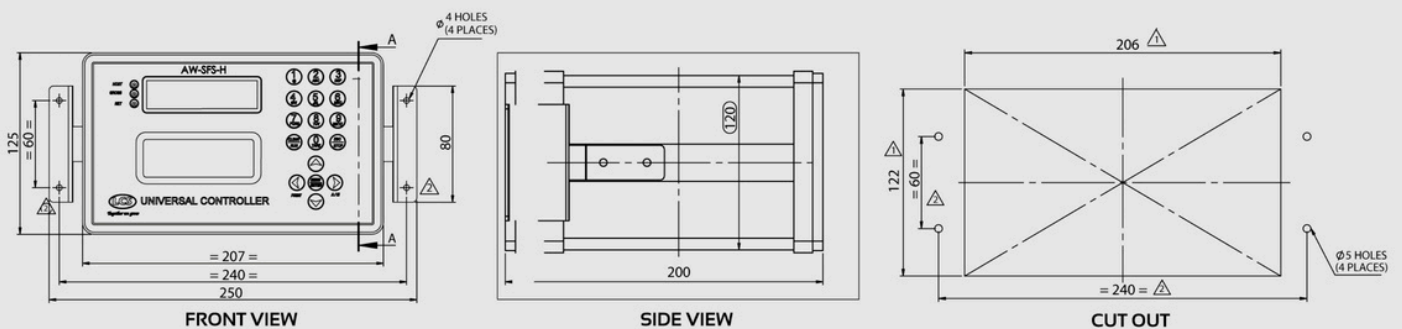
Diagnostic

- Self diagnostics for all modules (A/D, Display, Serial port, RS232, RS485, Digital O/P, Digital I/P, Key functionality)
- Calibration backup and restore options

Models

- UC-100 REV A -LS ----- A/D Conversion Rate (10 SPS)
- UC-100 REV D -HS ----- A/D Conversion Rate (650 SPS)

Physical Dimention of UC-100



Marketed by :

Kanta King

C-25, 2nd Floor, DSIDC Complex, Kirti Nagar,
New Delhi - 110015, INDIA



+91.9560915555



info@kantaking.com



www.kantaking.com