

KANTAKING



Model : ZSWFG

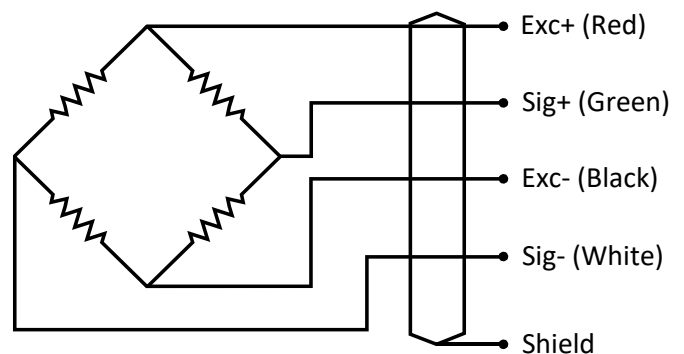
“The Kanta King Digital Loadcells ZSWFG” are compression type double shake column structure loadcells, that can be connected without any junction box. These are pre-calibrated from standard weight and are capable of transmitting direct weight output in digital form. Network type cabling ensures easy installation.



FEATURE

- Dual air plug facilitates easy cabling and fast installation.
- No need of junction box.
- Capacity 10t to 50t.
- Double shake column structure digital sensor.
- High degree of sealing.
- Optional stainless steel, alloy steel available.

WIRING DIAGRAM



Marketed by :

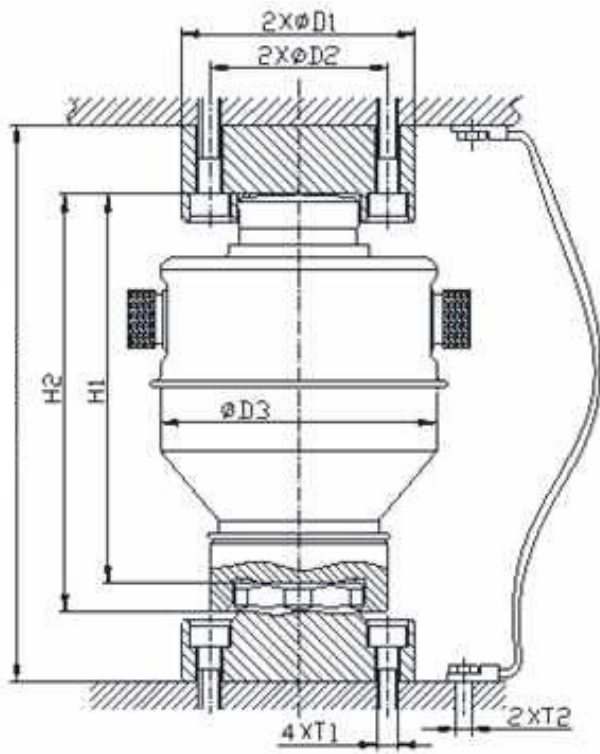
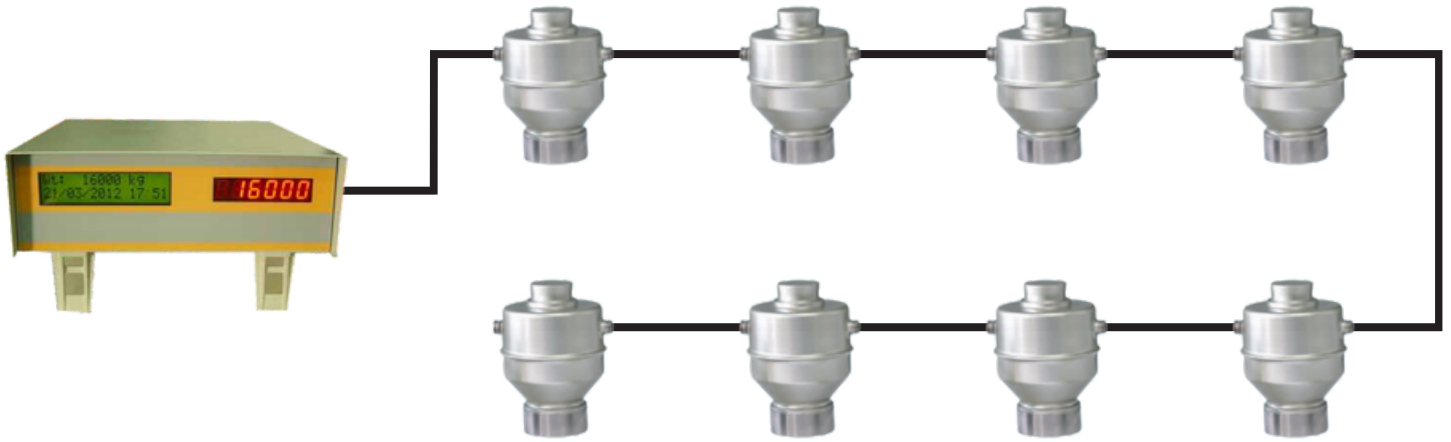
Kanta King Technologies Pvt. Ltd.

C-25, 2nd Floor, DSIDC Complex, Kirti Nagar,
New Delhi - 110015, INDIA

+91.9560915555

info@kantaking.com

www.kantaking.com



Rated Capacity	D1	D2	D3	H1	H2	H3	T1	T2
10~60t	83.5	64	99	140	150	200	M8	M8

SPECIFICATIONS

Rated capacity	10 ton to 50 ton
Combined error	±0.02% F.S.
Non-repeatability	±0.01% F.S.
Non-linearity	±0.01% F.S.
Hysteresis error	±0.02% F.S.
Temperature effect on zero	±0.012% F.S.
Temperature effect on output	±0.01% F.S.
Compensated temperature range	-10 to +40°C
Operating temperature range	-30 to +70°C
Maximum safe overload	150% OF R.C.
Ultimate safe overload	200% OF R.C.
Recommended excitation	7 to 15V DC
Environment protection	IP69K equivalent
Communication BPS	9600/19200
Communication Mode	RS 485
Material	Alloy steel
Cable	Length_16meter Diameter_φ8.8mm

Marketed by :

Kanta King Technologies Pvt. Ltd.

C-25, 2nd Floor, DSIDC Complex, Kirti Nagar,
New Delhi - 110015, INDIA

+91.9560915555

info@kantaking.com

www.kantaking.com