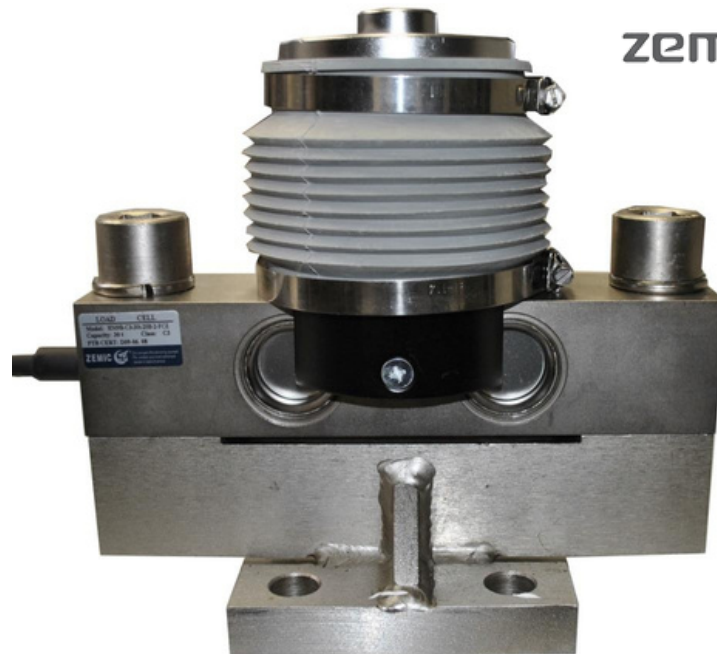


Double Ended Shear Beam (Cup and Ball Type) HM9B Load Cell



Short Description



- Nickel plated alloy steel IP68 dual shear beam load cell
- High accuracy
- Suitable for truck, track, hopper and other electronic weighing devices
- Current calibrated (SC-option)



Test certificate no. TC12331 Revision 0
C of C no R60/2017-A-NL1-22.07 Rev. 0

Available Models

Capacity	Accuracy	Full Article Description
10t	C3	HM9B-C3-10t-12B-2-FH
20t	C3	HM9B-C3-20t-12B-2-FH
25t	C3	HM9B-C3-25t-20B(-SC) -2-FH
30t	C3	HM9B-C3-30t-20B(-SC) -2-FH
40t	C3	HM9B-C3-40t-16B-2-FH
50t	C3	HM9B-C3-50t-16B-2-FH



Type HM9B Load Cell

Technical Specifications HM9B

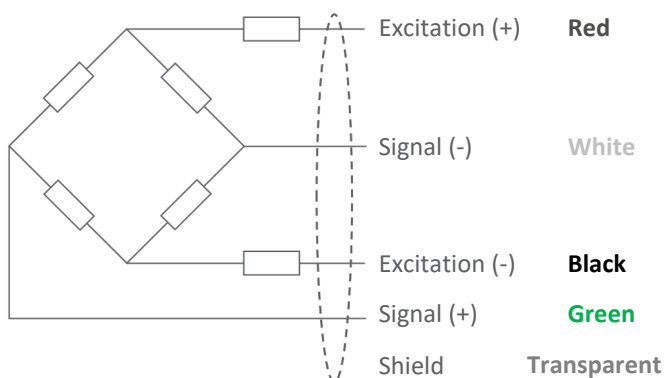
Accuracy Class		OIML R60 C3		
Output Sensitivity (= FS)	mV/V	2.0 ± 0.002		
Maximum Capacity (Emax)	t	10, 20, 25	30, 40, 50	
Max. Number of Load Cell Intervals	nLC	3000		
Ratio of min. LC Verification Interval	$\gamma = E_{max} / V^{in}$	15000	7500	
Combined Error	%FS	≤± 0.02		
Creep Error (30 minutes)	%FS	≤± 0.02		
Temperature Effect on Zero (ZTC)	%FS/10°C	≤± 0.02		
Temperature Effect on Sensitivity (STC)	%FS/10°C	≤± 0.02		
Zero Balance	%FS	≤± 1.5		
Safe Overload	%FS	150		
Ultimate Overload	%FS	300		
Excitation, Recommended Voltage	V	5 ~ 12		
Excitation, Maximum Voltage	V	18		
Input Resistance	Ω	700 ± 7		
Output Resistance	Ω	703 ± 4		
Insulation Resistance (50V)	MΩ	≥5000		
Compensated Temperature	°C	-10 ~ + 40		
Operating Temperature	°C	-35 ~ + 65		
Storage Temperature	°C	-40 ~ + 70		
Load Cell Weight	kg	10t: 15	20t – 40t: ~17	50t: 25
Element Material		Nickel plated alloy steel		
Ingress Protection (acc. to EN 60529)		IP68		
Recommended Torque on Fixation Bolts	Nm	M16: 250	M20: 500	
ATEX Classification (optional)		II 1G Ex ia IIC T4 Ga	II 1D Ex ia IIIC T ₂₀₀ 135°C Da	II 3G Ex ic IIC T4 Gc

Wiring

Features:

Cable type: Shielded, 4 conductor cable , conductor AWG 24
 Cable diameter: Ø 5.5mm
 Cable length: 16m (standard), 12m & 20m lengths also available
 Cable jacket: PVC
 Shield not connected to element

4-Wire Connection Diagram



Marketed by:

Kanta King

C-25, 2nd Floor, DSIDC Complex, Kirti Nagar,
New Delhi - 110015, INDIA

+91.9560915555

info@kantaking.com

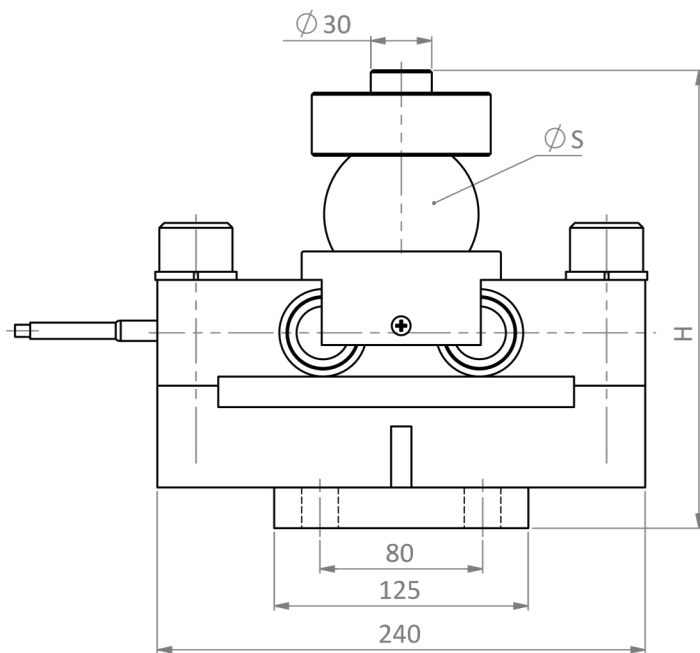
www.kantaking.com



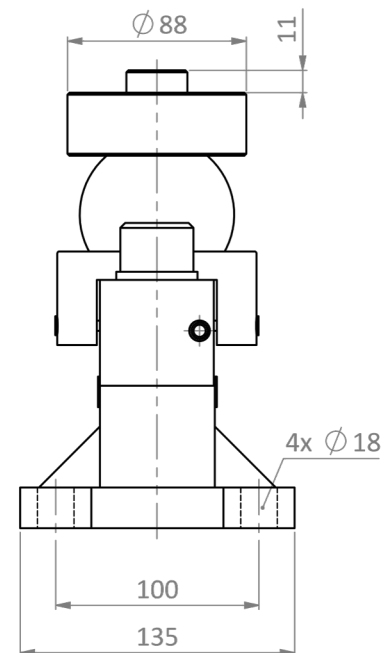
Type HM9B Load Cell

Dimensions in mm

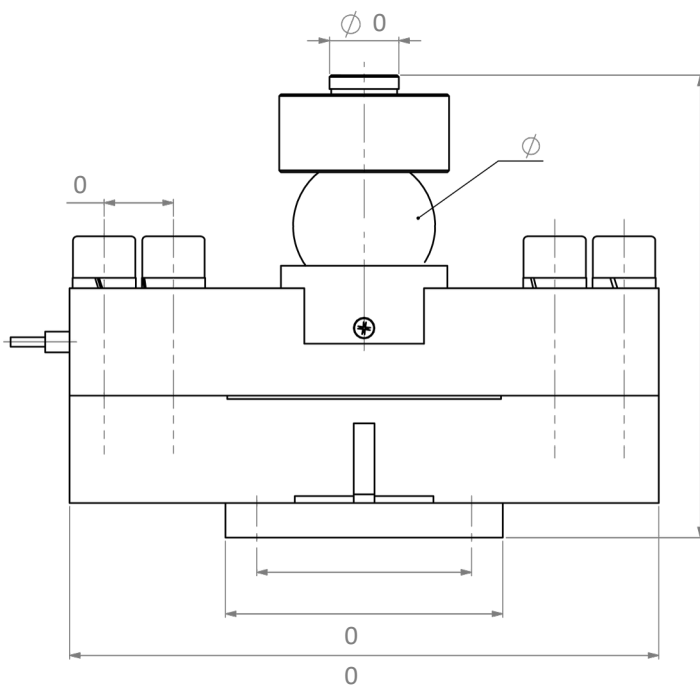
10t – 40t Front View



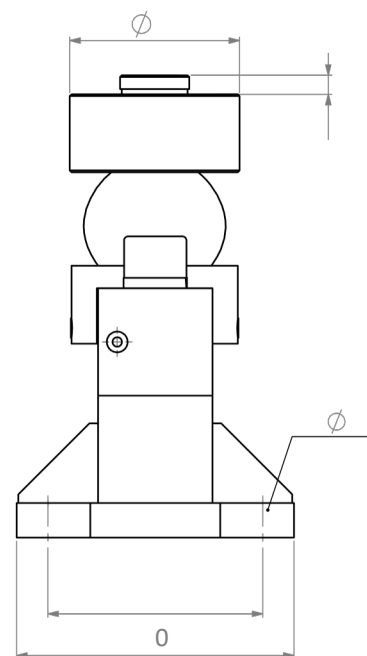
Side View



50t Front View



Side View



Dimension Capacity	H	ØS
10t	195	50
20t-40t	225	76
50t	267	82